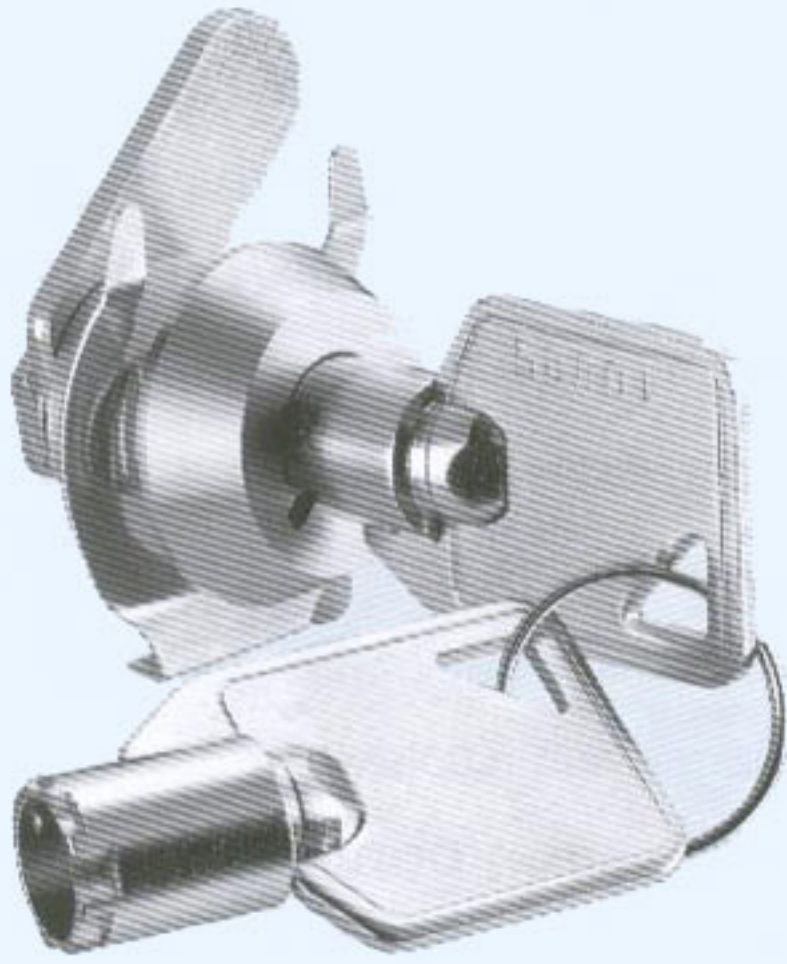


C501

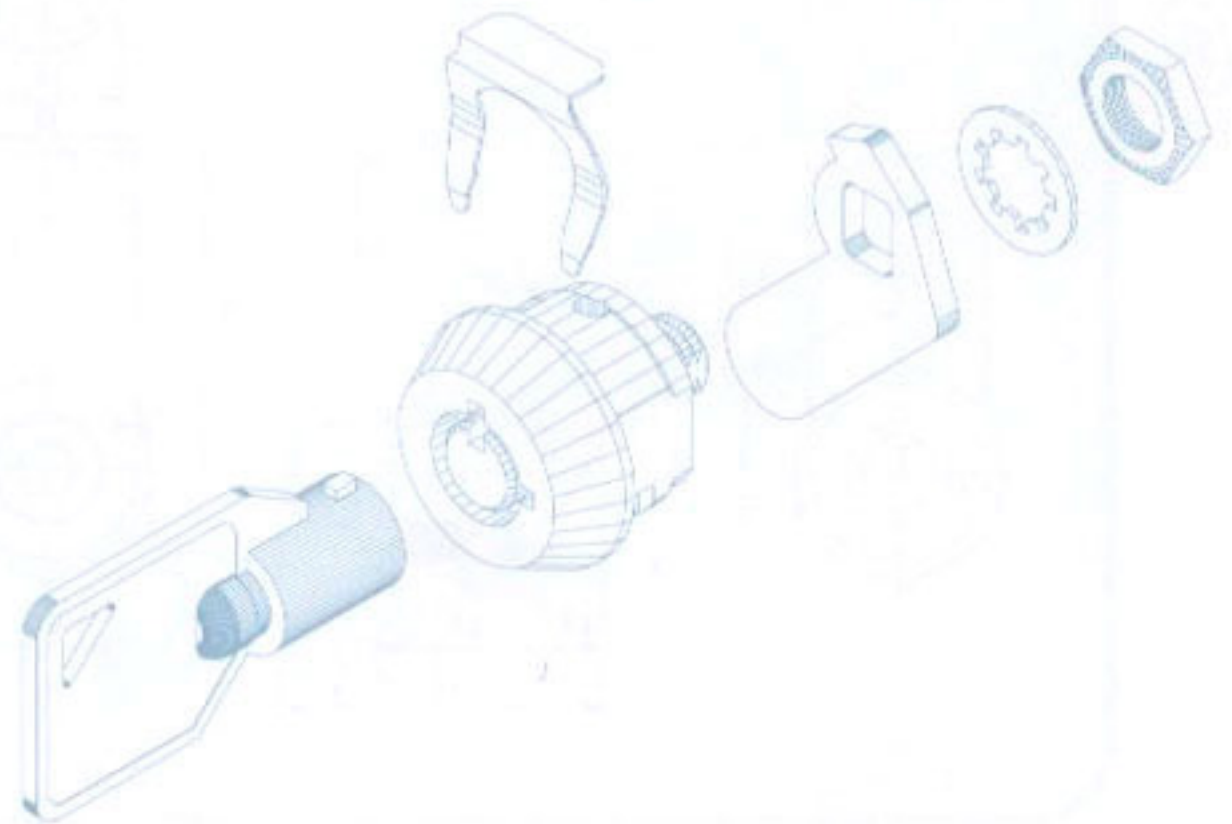
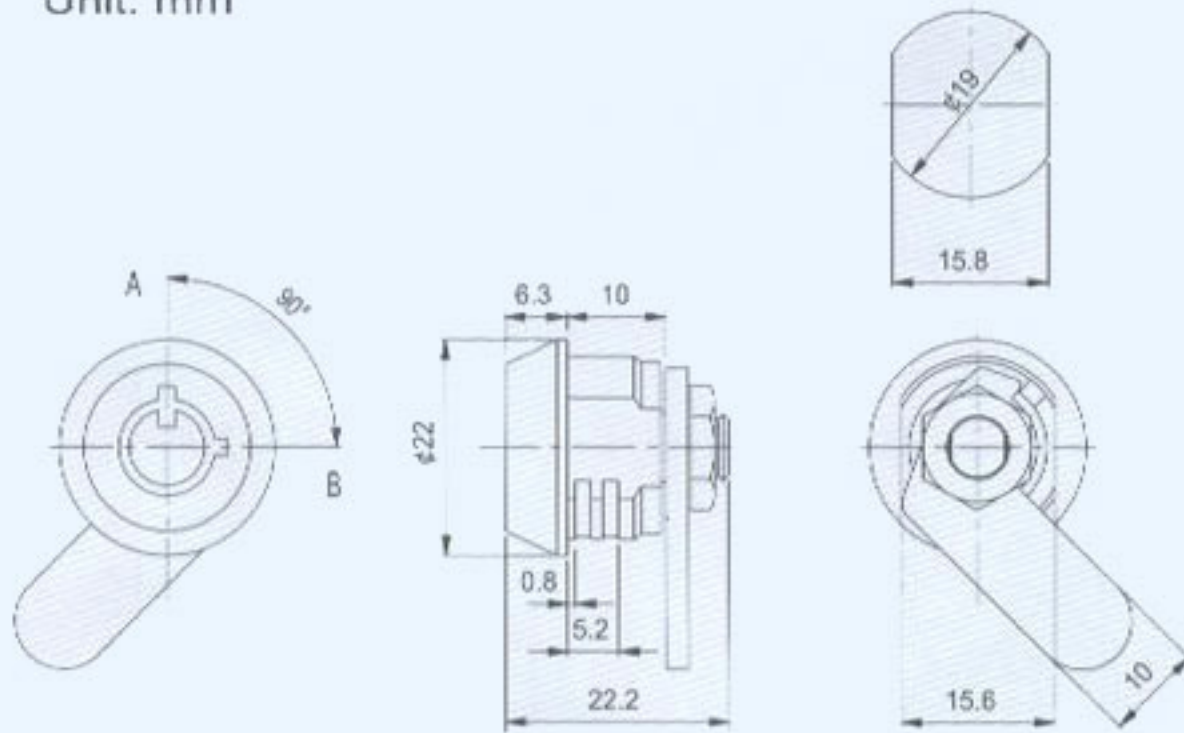


DESCRIPTION

- . zinc alloy die cast housing and brass cylinder.
- . Bright chrome plated standard.
- . 7 pin tumbler mechanism.
- . Steel made tubular keys, nickel plated.
- . Key may be withdrawn in one or both positions.
- . Various cam configurations and rotations available.
- . Cam is affixed by nut.
- . Hex nut mounted.
- . All keyed alike or one combination per 100pcs standard.
- . 5000 combinations available.

Unit: mm

Recommended hole size



■ -INDICATES KEY-PULL

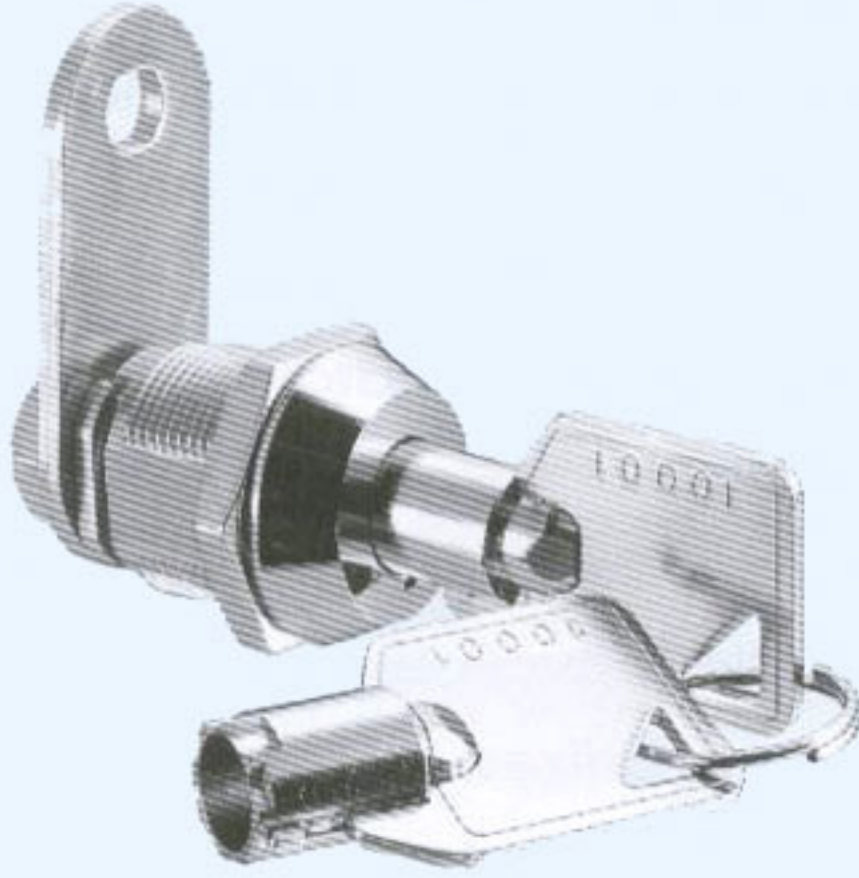
● -INDICATES NO KEY-PULL



Fig.1

Fig No	Lock Number	Positions	Key Pulls	Turn
1	C501-2	2	2	90°

C510Z series

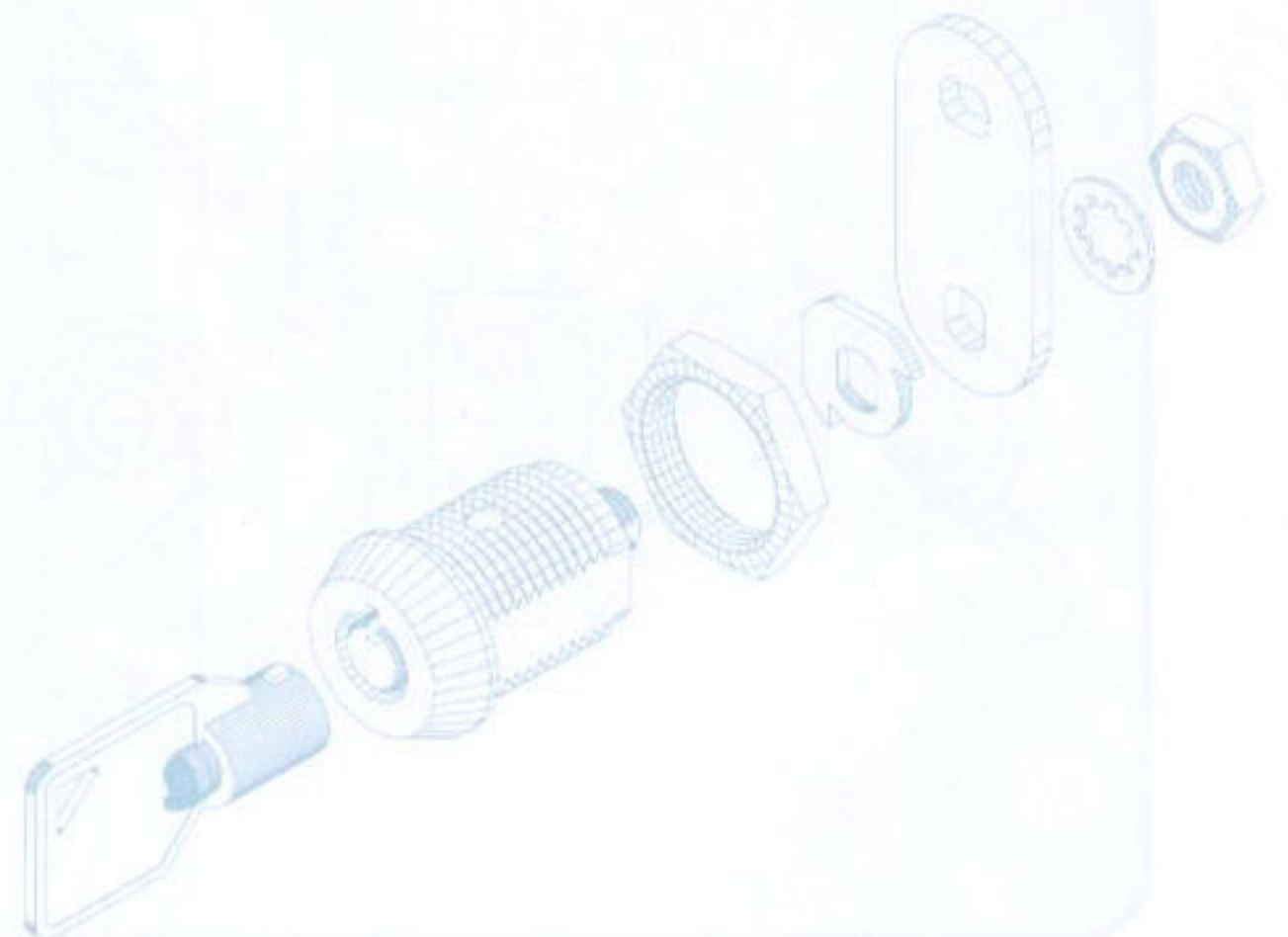
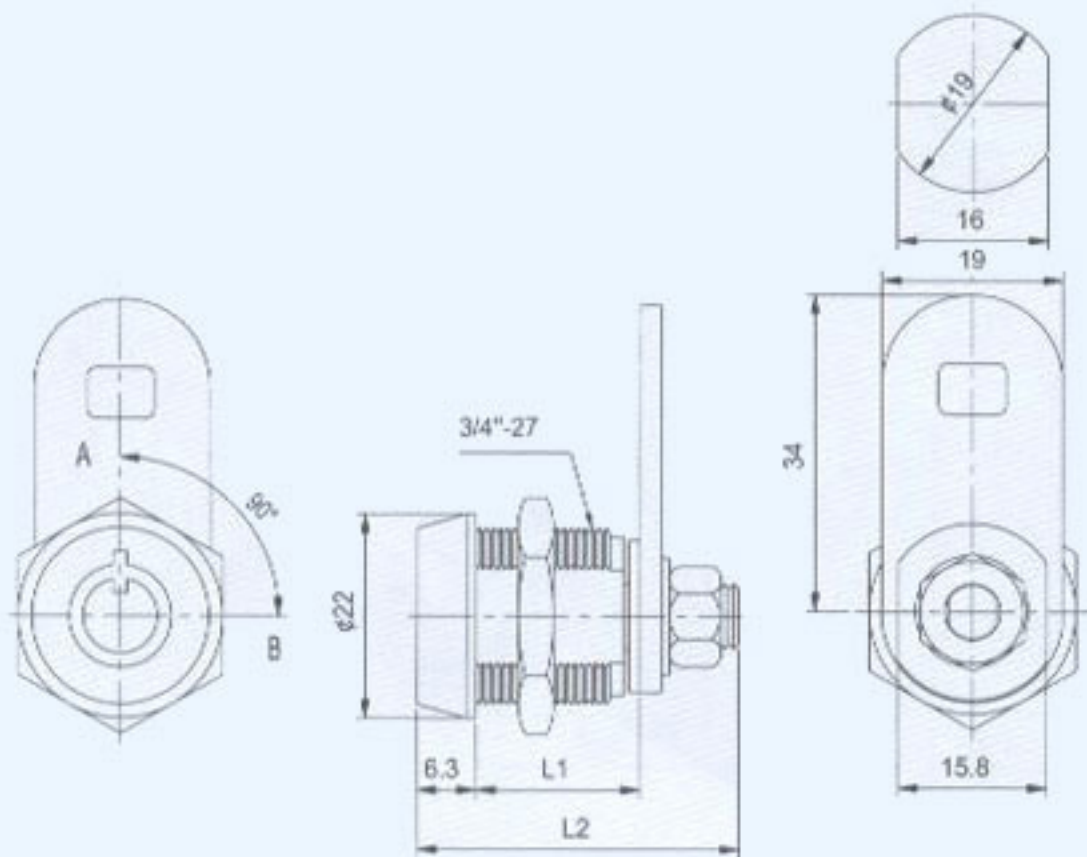


DESCRIPTION

- . C510XS brass housing and cylinder.
- . C510ZSS, C510ZS, C510ZM and C510ZL zinc alloy die cast housing and cylinder.
- . Bright chrome plated standard.
- . 7 pin tumbler mechanism.
- . Steel made tubular keys, nickel plated.
- . Key may be withdrawn in one or both positions.
- . 5 sizes available.
- . Various cam configurations and rotations available.
- . Cam is affixed by nut or screw.
- . Hex nut mounted.
- . All keyed alike or one combination per 100pcs standard.
- . 10000 combinations available.

Unit: mm

Recommended hole size



■ -INDICATES KEY-PULL

● -INDICATES NO KEY-PULL

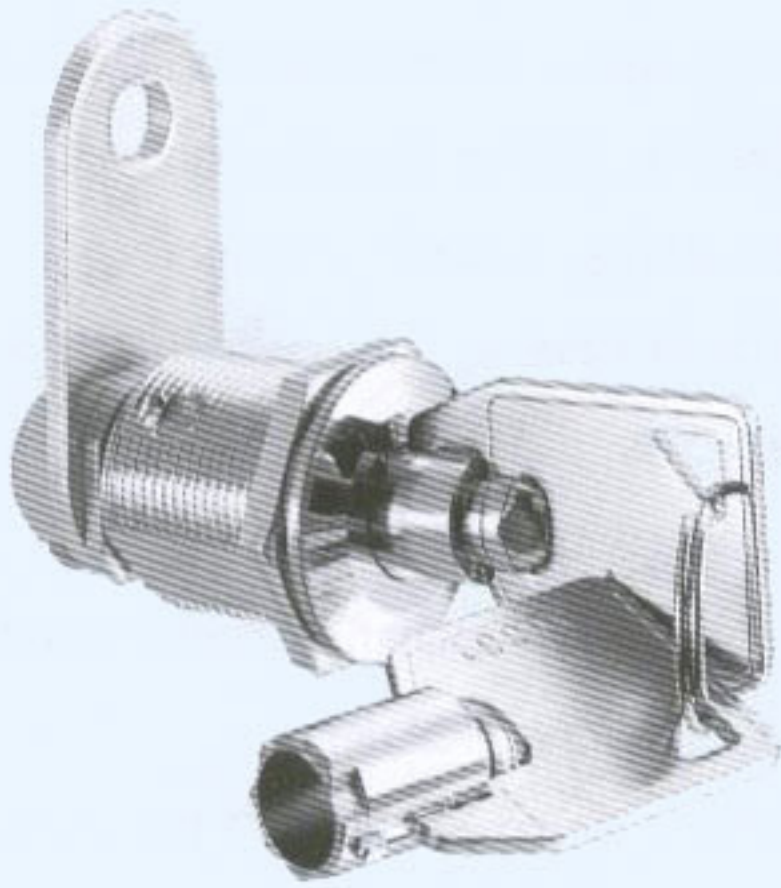


Sizes	L1	NUT L2	SCREW L2
XS	9.5	23.3	15.8
ZSS	11	25	17.3
ZS	17.5	34.3	23.8
ZM	23.3	39.7	29.6
ZL	28	44.7	34.3

FigNo LockNumber Positions KeyPulls Turn

1	C510XS-1	2	1	90°
1	C510ZSS-1	2	1	90°
1	C510ZS-1	2	1	90°
1	C510ZM-1	2	1	90°
1	C510ZL-1	2	1	90°
2	C510XS-2	2	2	90°
2	C510ZSS-2	2	2	90°
2	C510ZS-2	2	2	90°
2	C510ZM-2	2	2	90°
2	C510ZL-2	2	2	90°

C516

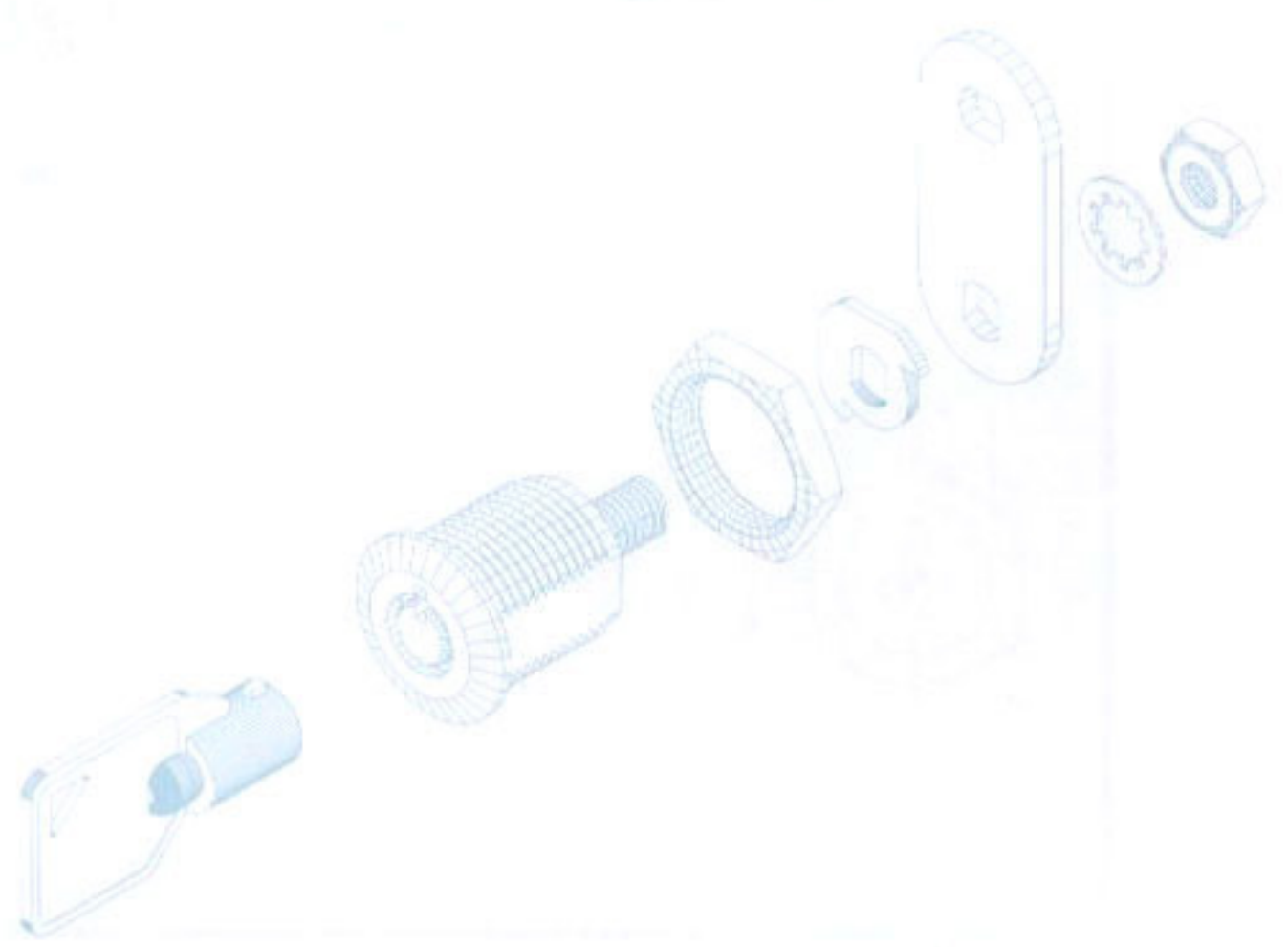
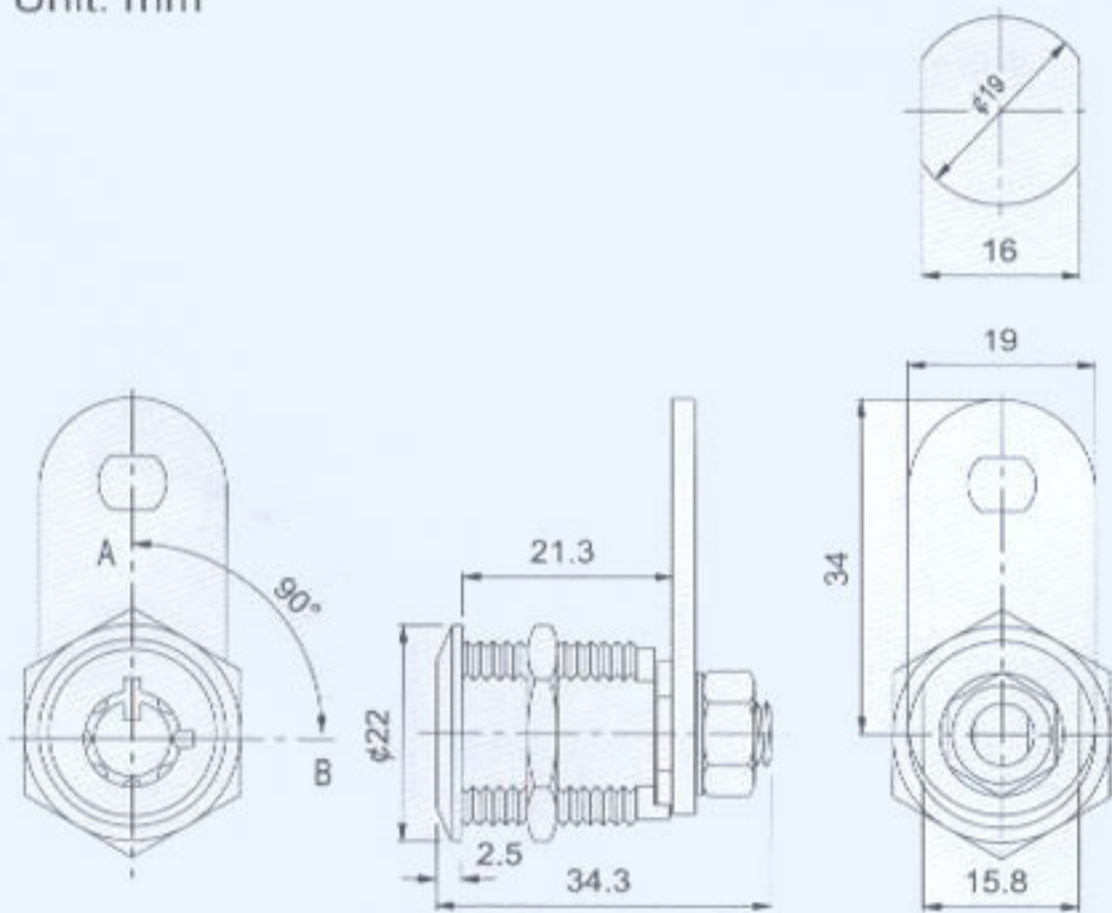


DESCRIPTION

- . Brass housing and zinc alloy die cast cylinder.
- . Bright chrome plated standard.
- . 7 pin tumbler mechanism.
- . Steel made tubular keys, nickel plated.
- . Key may be withdrawn in one or both positions.
- . Various cam configurations and rotations available.
- . Cam is affixed by nut.
- . Hex nut mounted.
- . All keyed alike or one combination per 100pcs standard.
- . 10000 combinations available.

Unit: mm

Recommended hole size



■ -INDICATES KEY-PULL

● -INDICATES NO KEY-PULL



Fig.1



Fig.2

Fig No	Lock Number	Positions	Key Pulls	Turn
1	C516-1	2	1	90°
2	C516-2	2	2	90°